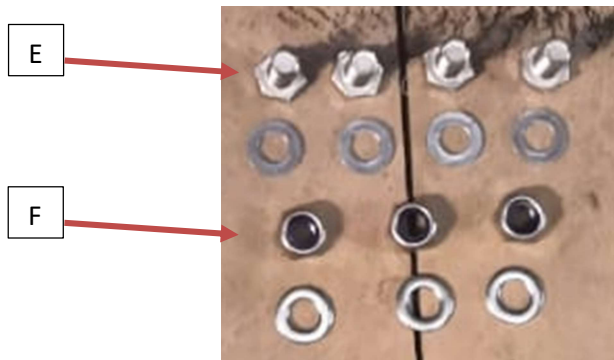
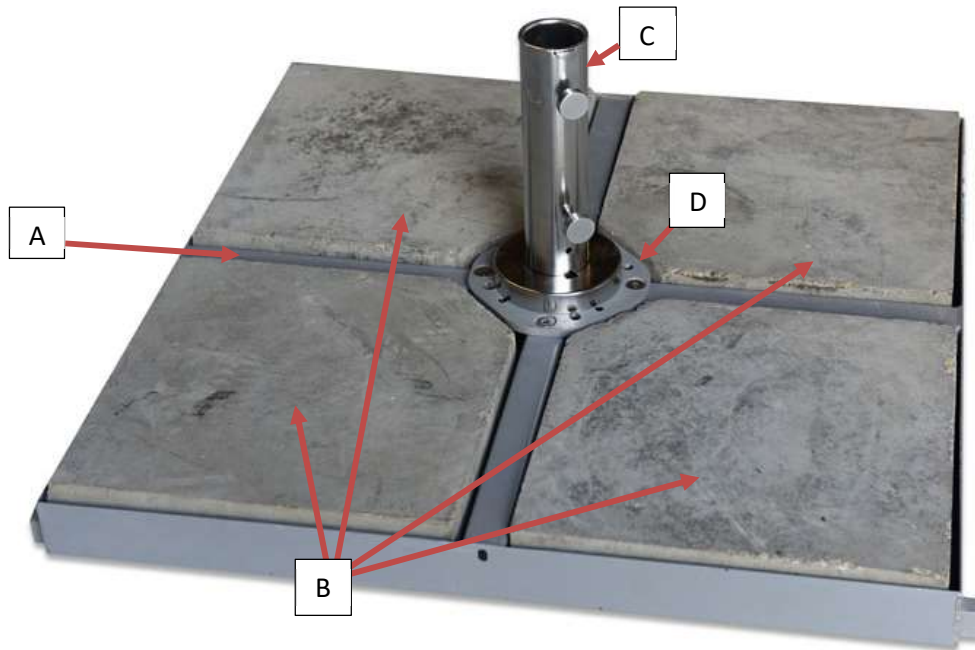


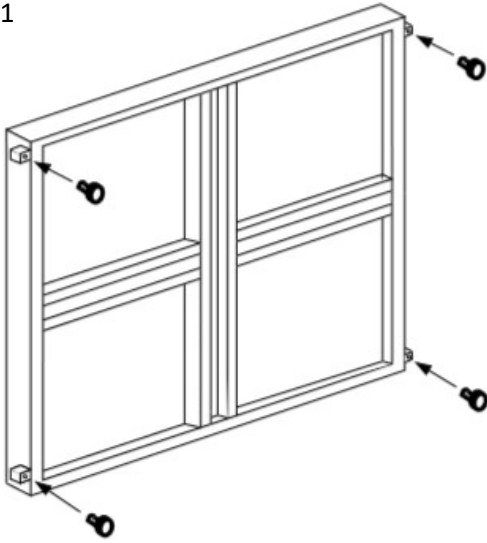
## CROSS BASE FRAME – CENTRE POLE

### ASSEMBLY INSTRUCTIONS



Part	Description	Part	Description
A	Base Frame	D	Adaptor Plate
B	Base Weights	E	4 x Bolts and Washers for Adaptor Plate
C	Base Tube	F	3 x Washers and Lock-Nuts for base tube

1

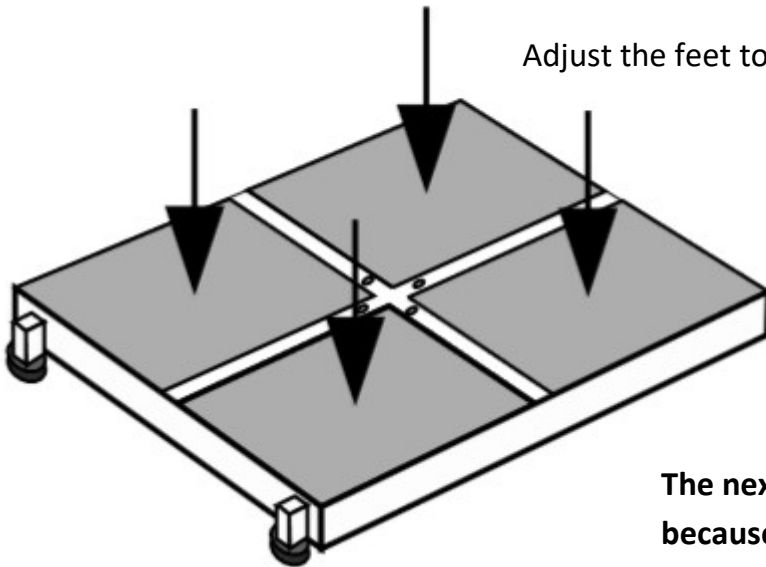


Screw the plastic feet (F) to the underside of the base frame (A).

2

**PLACE THE BASE FRAME IN THE DESIRED (FINAL) POSITION. IT WILL BE DIFFICULT TO MOVE ONCE THE BASE WEIGHTS ARE IN PLACE.**

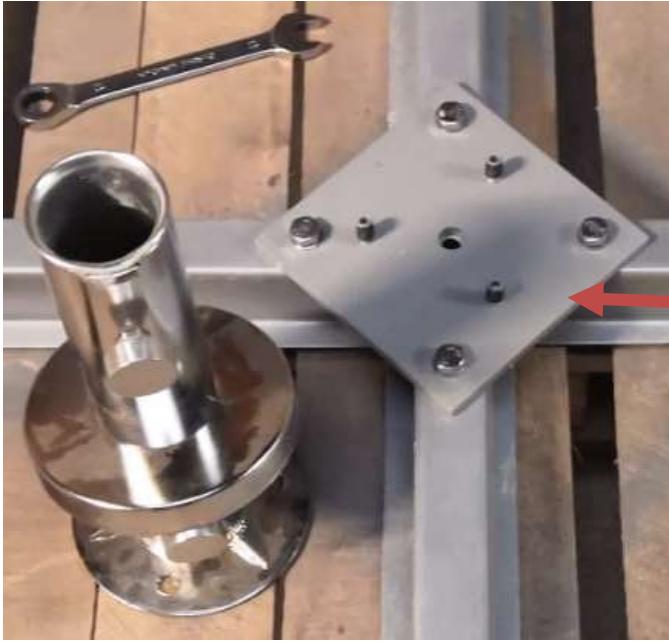
Adjust the feet to allow for uneven ground.



**The next step will require 2 people, because of the weight of the bases.**

Place the base weights (B) in the base frame (A).

3

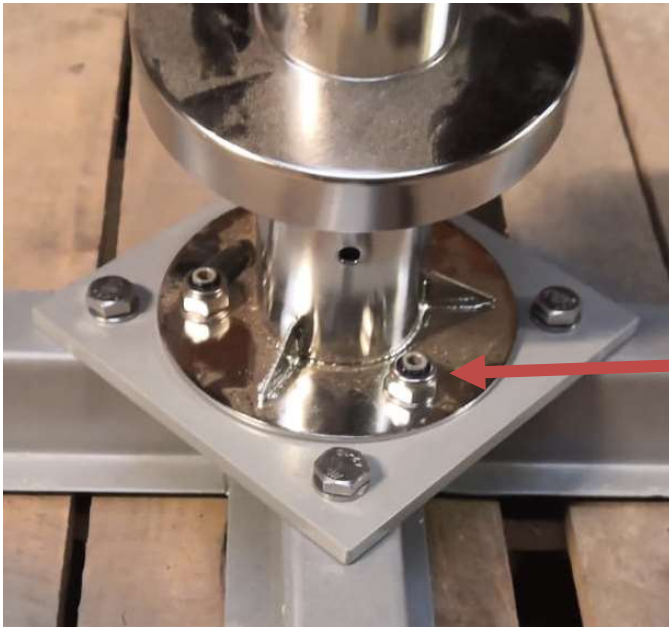


Once the base weights are in place, bolt the adaptor plate to the base frame using the washers and flat headed screws.



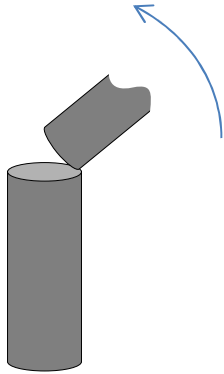
*Figure 1 - Adaptor plate bolted onto cross base*

4



With the adaptor plate fixed into position, slot the base tube onto the threaded bolts and secure using the nut and washers provided.





The parasol is now ready to be lifted and installed into the sleeve / base tube attached to the cross base.

The easiest method to install the parasol is to line the end of the parasol pole up with the edge of the base tube and then walk the parasol up into a vertical, upright position.



Once the parasol is in situ, tighten the bolts on the side of the tube, locking the parasol into position.

A secondary fixing option is to pass a bolt through the hole located at the bottom of the tube, through the parasol (this may require drilling a hole through the parasol when in the tube). This can also act as a security fixing, locking the parasol to the cross base.

The parasol is now ready to be used. Please refer to the opening guidance, on the next page for opening and closing instructions

## Opening and closing your parasol



Having installed the parasols and locked them into plate, refer to the instructions below to open and close the parasol.

1. Remove any packaging from the parasol, including the clear plastic bag it is delivered in.
2. If you are using a protective cover, remove it from the parasol and place in a secure position to use later.
3. Grasp rope and pull gently downwards until resistance is felt (Fig. 1)

**Do not pull too hard or damage may occur.**

4. If the parasol is difficult to open, gently pull the ribs away from the pole while pulling gently on the rope until the ribs become free (Fig. 2). You may have to move the fabric covering to gain access to the shorter ribs

5. Open the parasol fully, until the cover is tight, and lock the rope into the cleat by moving it close to the pole (Fig. 3)
6. Loop the rope around the hook to
7. To lower the parasol, grasp the rope and move it away from the pole (Fig. 4). This will release the rope from the cleat. Gently lower the parasol, controlling the descent by allowing the rope to run through your hand until it is closed down.

**Although our umbrellas have been tested to withstand windy (test) conditions, we recommend collapsing your umbrella when the wind picks up above 25mph/40kph.**

**Damage caused by strong winds is not covered by our warranty.**